

6

5

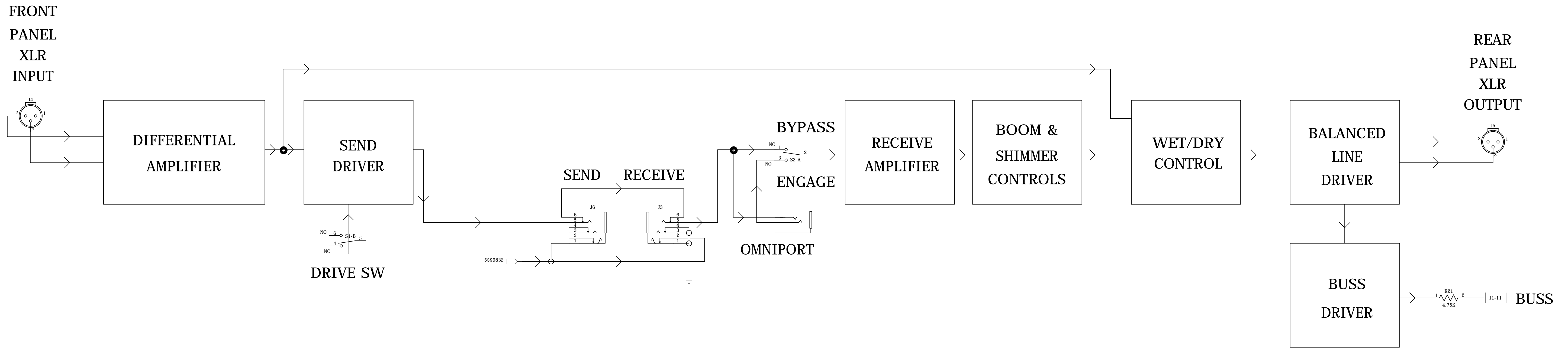
4

3

2

1

REVISION RECORD			
LTR	ECO NO:	APPROVED:	DATE:



Copyright 2011

COMPANY: Radial Engineering Ltd..

TITLE: TANK DRIVER BLOCK DIAGRAM

DRAWN: DMF/NS	DATED: 6/17/2011
CHECKED:	LAST SAVED: 02/03/2020
QUALITY CONTROL:	DATED:
RELEASED:	DATED:

CODE:	SIZE: C	DRAWING NO:	REV: C1
SCALE:			SHEET: 1 OF 1