

JR•2^{DT}[™]

DESKTOP REMOTE



USER GUIDE

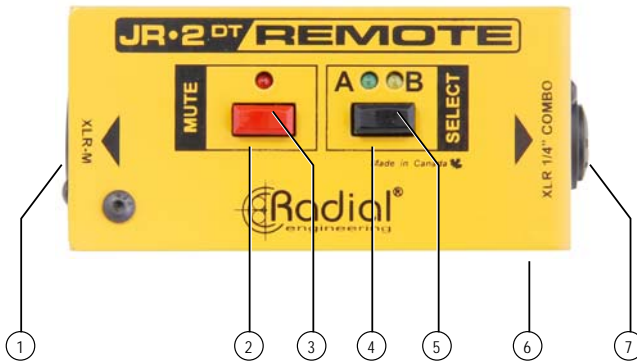
INTRODUCTION

Thank you for purchasing the Radial JR•2DT switch. This handy device can be used to remotely control various Radial devices such as the Firefly tube direct box or SW8 backing track switcher. Please take a few moments to read this short manual and familiarize yourself with the various functions. This will help you get the most out of the JR•2DT as you explore its uses. Should you have a question that is not covered in this manual, we invite you to send us an email at info@radialeng.com and we will do our very best to reply in short order.

OVERVIEW

The Radial JR•2DT is a desktop remote equipped with two switches that enable you to control various functions depending on the device that is connected. The left switch is designated as MUTE while the right switch is designated as A or B. Above each switch is a series of status LEDs. These are used to provide local visual feedback when controlling a remote device. The JR•2DT derives its power from the Radial device that is being controlled, thus eliminating the need for a local power supply or batteries. Connecting to and from the JR•2DT is done using a balanced cable with either XLR or TRS connectors.

FEATURE SET

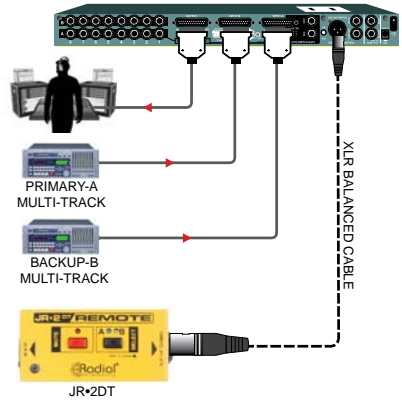
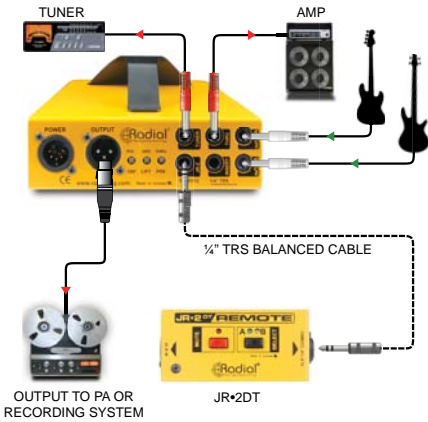


1. XLR-M: Used to connect to remote device, provides alternate connection for XLR-female cable.
2. MUTE: Used to turn off the output from the remotely controlled device.
3. MUTE LED: Illuminates when the mute switch is depressed.
4. AB SELECT: Generally used to toggle between two sets of inputs or outputs, depending on the remotely controlled device that is in use.
5. AB LEDs: Provides local visual status of the remotely controlled device.
6. 14 GAUGE STEEL: Heavy duty construction for years of trouble-free use. Highly visible yellow powder coat finish is easy to see in the dark.
7. COMBO: Used to connect to remote device, provides locking connection for ¼" TRS or XLR-male terminated cable.

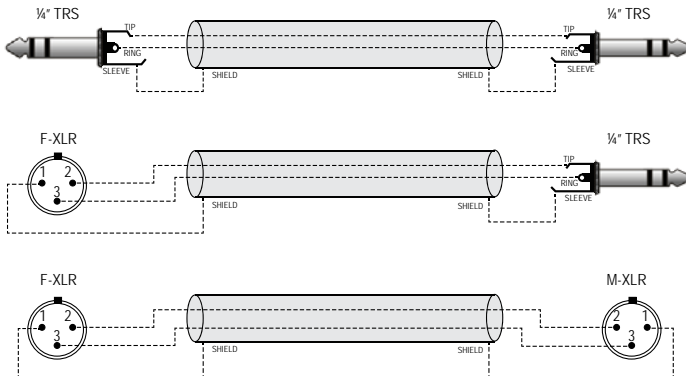
MAKING CONNECTIONS

The JR•2DT does not require any local power to make it work. It derives its power source from the remotely connected Radial device and travels along the balanced cable to activate the JR•2DT's active circuits and illuminate the LEDs. There are two connectors to choose from. The first is an XLR-male, the second a combo connector with ¼" TRS and XLR-female. These are wired in parallel to provide greater flexibility, which in turn, enables the JR•2DT to be used on several different Radial devices. **Only one remote output connector should be used at a time as using two concurrently could cause a control system conflict.**

Simply connect using a balanced cable and the JR•2DT will spring to life. As the JR•2DT can be used with a number of Radial devices, please consult the specific owner's manual for details on the appropriate cable and how the two switches will interact.



WIRING DIAGRAMS



THREE YEAR TRANSFERABLE LIMITED WARRANTY

RADIAL ENGINEERING LTD. ("Radial") warrants this product to be free from defects in material and workmanship and will remedy any such defects free of charge according to the terms of this warranty. Radial will repair or replace (at its option) any defective component(s) of this product (excluding finish and wear and tear on components under normal use) for a period of three (3) years from the original date of purchase. In the event that a particular product is no longer available, Radial reserves the right to replace the product with a similar product of equal or greater value. In the unlikely event that a defect is uncovered, please call 604-942-1001 or email service@radialeng.com to obtain a RA number (Return Authorization number) before the 3 year warranty period expires. The product must be returned prepaid in the original shipping container (or equivalent) to Radial or to an authorized Radial repair center and you must assume the risk of loss or damage. A copy of the original invoice showing date of purchase and the dealer name must accompany any request for work to be performed under this limited and transferable warranty. This warranty shall not apply if the product has been damaged due to abuse, misuse, misapplication, accident or as a result of service or modification by any other than an authorized Radial repair center.

THERE ARE NO EXPRESSED WARRANTIES OTHER THAN THOSE ON THE FACE HEREOF AND DESCRIBED ABOVE. NO WARRANTIES WHETHER EXPRESSED OR IMPLIED, INCLUDING BUT NOT LIMITED TO, ANY IMPLIED WARRANTIES OF MERCHANTABILITY OR FITNESS FOR A PARTICULAR PURPOSE SHALL EXTEND BEYOND THE RESPECTIVE WARRANTY PERIOD DESCRIBED ABOVE OF THREE YEARS. RADIAL SHALL NOT BE RESPONSIBLE OR LIABLE FOR ANY SPECIAL, INCIDENTAL OR CONSEQUENTIAL DAMAGES OR LOSS ARISING FROM THE USE OF THIS PRODUCT. THIS WARRANTY GIVES YOU SPECIFIC LEGAL RIGHTS, AND YOU MAY ALSO HAVE OTHER RIGHTS, WHICH MAY VARY DEPENDING ON WHERE YOU LIVE AND WHERE THE PRODUCT WAS PURCHASED.

To meet the requirements of California Proposition 65, it is our responsibility to inform you of the following:

WARNING: This product contains chemicals known to the State of California to cause cancer, birth defects or other reproductive harm.

Please take proper care when handling and consult local government regulations before discarding.



www.radialeng.com

Made in Canada 

Radial Engineering Ltd.

1588 Kebet Way, Port Coquitlam BC V3C 5M5

tel: 604-942-1001 • fax: 604-942-1010

info@radialeng.com • www.radialeng.com



Radial® JR•2DT™ User Guide - Part #R870 1217 00 © Copyright 2014.
Specifications and appearance are subject to change without notice.